

Modern and comprehensive strength conditioning series designed to meet the space and performance demands of today's fitness facilities. The user-friendly features and performance will appeal to a wide variety of users.

## LAT PULLDOWN FUSE-1100

### FEATURES

- Five position seat uses four-bar linkage with gas cylinder assist for stable, low friction adjustments
- Five position thigh pad accommodates wide range of users
- Unilateral arms diverge to maximize articulation of the shoulder and allow for a complete range of motion
- Integrated towel holder and accessory tray with cup holder

### SPECIFICATIONS

#### DIMENSIONS L X W X H

57" x 45" x 58" / 145 cm x 114 cm x 147 cm

#### PRODUCT WEIGHT

Weight Stack Options      170 lbs / 77 kg      250 lbs / 113 kg  
Machine Weight            489 lbs / 222 kg      522 lbs / 258 kg

#### COLOR

Powder coat finish available in charcoal with custom color options. Twelve standard vinyl seat color options with custom colors also available. Contact your sales representative for more information.

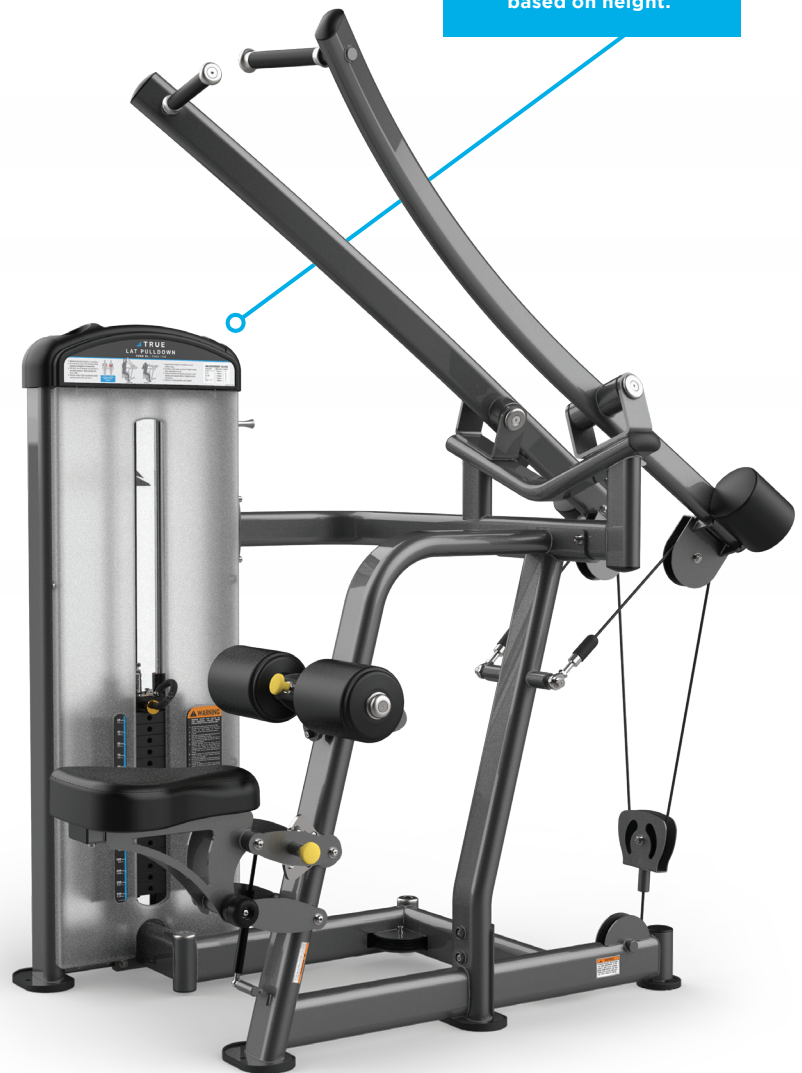
### USER AMENITIES

- Height Adjustment Guide
- Step-by-step exercise chart with easy to follow user instructions
- 4-Bar Linkage Seat Adjustments with gas cylinder assist
- Accessory Tray with Cup Holder
- Integrated Towel Holder

#### ADJUSTMENT GUIDE

HEIGHT	METRIC	SEAT
5' 2" AND UNDER	157cm	5
5' 7"	170cm	4
5' 10"	178cm	3
6'	183cm	2
6' 2" AND OVER	188cm	1

Unique easy to view Height Adjustment Guide instructs users on proper seat placement based on height.



truefitness.com | 800.426.6570 | 636.272.7100

©2019 TRUE Fitness Technology, Inc